



**Badger Air-Brush Co.**

**9128 Belmont Ave.**

**Franklin Park, IL 60131**

**Phone: 847-678-3104 Fax: 847-671-4352**

**[www.badgerairbrush.com](http://www.badgerairbrush.com)**

## **INSTRUCTION MANUAL**

### **COMPRESSOR 80-8N**

Thanks for Purchasing our airbrush compressor and please read this Instruction Manual carefully and thoroughly before Operating the tool to get best performance.



**CE ROHS**

## 1. Features:

1. Oil-less. Piston type.
2. It can start with pressure, continuous working and powerful.
3. Adjustable pressure regulator.
4. The pressure Range can show the working pressure and max pressure.
5. Thermally protected inside.
6. Noise level: Less than 50db.

## 2. Application Field:

Airbrush compressor 80-8N, which has many patents. Can be widely used in craftwork spraying, cosmetics, hobbies/models, fingernail painting and so on.

## 7. Warranty

### FULL WARRANTY FOR BADGER AIRBRUSH COMPRESSOR

BADGER AIR-BRUSH COMPANY warrants to the purchaser that its compressor will be free from defects in material and workmanship for a period of one (1) year.

A compressor failing within the warranty period due to defects in material and workmanship will be repaired or replaced, at Badger's option, without charge to the purchaser when returned with proof of purchase to the BADGER AIR-BRUSH CO., transportation prepaid by purchaser.

This warranty excludes equipment which has been subjected to corrosion, negligence, accident or units which have been altered or abused in any way.

Further information on service and warranty info contact:

### **Badger Air-Brush Co.**

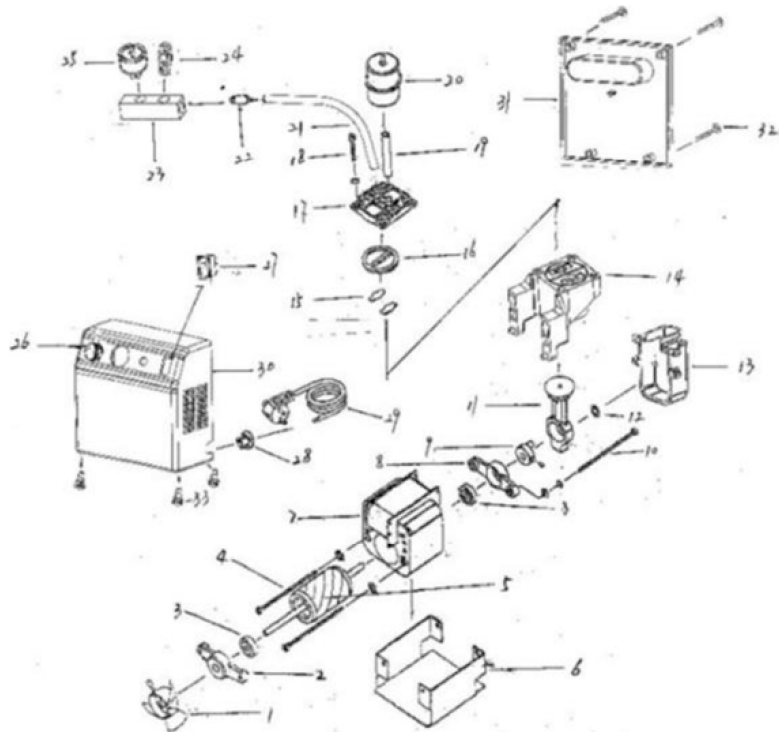
9128 W. Belmont Ave.

Franklin Park, Il 60131

Phone: 800-AIR-BRUSH Fax: 847-671-4352

[www.badgerairbrush.com](http://www.badgerairbrush.com)

## 6. Spare part list:



INDEX NO.	PARTS NO.	DESCRIPTION	QTY	INDEX NO.	PARTS NO.	DESCRIPTION	QTY
1	80-S-01	COOLING FAN	1	18	80-S-18	SET SCREW	4
2	80-S-02	BEARING HOUSING	1	19	80-S-19	AIR INLET PIPE	1
3	80-S-03	BEARING	2	20	80-S-20	AIR FILTER	1
4	80-S-04	SET SCREW	2	21	80-S-21	AIR OUTLET PIPE	1
5	80-S-05	RODARY MOTOR	1	22	80-S-22	ADAPTER	1
6	80-S-06	MOTOR HOUSING	1	23	80-S-23	CONNECTD OLLOP	1
7	80-S-07	STATIONARY MOTOR	1	24	80-S-24	AIR OUTLET NIPPLE	1
8	80-S-08	BEARING HOUSING	1	25	80-S-25	GAUGE	1
9	80-S-09	COUNTER WEIGHT	1	26	80-S-26	PRESSURE REGULATOR	1
10	80-S-10	SET SCREW	2	27	80-S-27	ON/OFF SWITCH	1
11	80-S-11	CONNECTING ROD	1	28	80-S-28	WIRE LOCK BUTTON	1
12	80-S-12	LOCK FLAKE	1	29	80-S-29	WIRE	1
13	80-S-13	PROTECT COVER	1	30	80-S-30	FRONT COVER	1
14	80-S-14	CYLINDER HOUSING	1	31	80-S-31	REAR COVER	1
15	80-S-15	VALVE PLATE	2	32	80-S-32	BOLT	4
16	80-S-16	WASHER	1	33	80-S-33	RUBBER FEET	4
17	80-S-17	CYLINDER HEAD	1				

## 3. Specification:

Type: Piston type compressor

Power: 1/8 HP

Speed: 2900/3400 rpm

Air output per min./liters: 13-15L/min

Max pressure: 2.8-3 BAR (40-43PSI)

Weight: 2.1KG

Dimension: 150X78X152min

Suitable for airbrushes with nozzle 0.2-0.5mm

## 4. Operation directory:

1. Our air compressor comes with adaptors for your Badger air brush hose.
2. Connect the air compressor, air hose and airbrush (or other air tools). Plug into the mains supply, turn on the switch, and then the air compressor will start work. The gauge will show the max pressure, and you can adjust the working pressure by adjusting the pressure adjustor.
3. Checking the air leakage. Please do not use the air tools first, when the pressure reach the max pressure (auto stop function), for the compressor do not have auto stop function, please turn off the switch. Then check the needle of pressure gauge. If the needle on gauge is very steady. It means the airtight is very good. If the needle decline down quickly. It

means there is air leakage in some place of connection. Please check and make it airtight. Or any small leakage will affect the performance of the compressor. (It may lead to frequently auto stop and auto start).

4. The difference between max pressure and working pressure. A compressor's maximum pressure is the highest pressure it can build up. When a connected airbrush is opened, it is precisely with this pressure that compressed air initially shoots out through the airbrush nozzle. In contrast, the working pressure is the constant pressure the compressor can maintain during airbrushing. The level of this working pressure depends, on the other hand, the nozzle diameter of the airbrush to which it is connected: the larger the nozzle diameter, the greater the amount of air which can escape and the lower the compressor's working pressure.

#### 5. Notice:

1. The users should choose the right air compressor with suitable air flow and pressure according to the actual work requirement.
2. Before connecting the compressor, check that the mains voltage complies with the electrical characteristics of the motor.
3. Please follow local electrical rules, **and safety rules. And the use of a socket which must be grounded.**
4. Never leave the appliance exposed to dust, acids. Vapors, explosive or flammable gasses or atmospheric agents (rain, sun, fog, snow).
5. The compressor must be used in suitable environments (well-ventilated, with an ambient temperature between +5°C and +40°C)
6. Never use the appliance in your bare feet or with wet hands or feet.
7. Never allow the children to touch the compressor while it's operating or place any foreign objects in the compressor this may cause burns or electric shock.
8. **Do not open or tamper with any part of the compressor. Contact Badger Air-Brush Co.**  
9128 West Belmont Ave. Franklin Park, IL 60131  
[www.badgerairbrush.com](http://www.badgerairbrush.com)  
Ph. 800-AIRBRUSH Fax: 847-671-4352